


# SlowStop® IronFlex Column Protector Type 1



[www.slowstop.eu](http://www.slowstop.eu)

Four SlowStop® Type 1 Energy Absorbing Bollards interconnected with IronFlex modular elbows to form the best bollard column protection available. Blocks impacts from occurring rather than cushioning impacts to the structure.

- Color: RAL 1023 Traffic Yellow Pipe  
RAL 9005 Black Bases and Elbows
- Height: Typical 500mm—600mm
- Horizontal Posts: 840mm or less
- Temp. Rating: -40° to 70°C
- Pipe Coating: EN-ISO 1461 Galvanized + Polyester Powder Coat
- Base Coating: Environmentally Friendly Water-Based KTL Coating + Polyester Powder Coat. C5I corrosion resistance.

Stopping Power Rating (as shown): 

- 45° Impact: 18.328 Joules
- 90° Impact: 12.960 Joules

Chart shown for 45° impacts.



MASS (KG)	2000	4000	6000	8000	10000	12500	15000	17500	20000
SPEED (KPH)									
3.0	Green	Green	Green	Green	Green	Green	Green	Green	Green
3.5	Green	Green	Green	Green	Green	Green	Green	Green	Yellow
4.0	Green	Green	Green	Green	Green	Green	Yellow	Yellow	Yellow
4.5	Green	Green	Green	Green	Green	Yellow	Yellow	Yellow	Yellow
5.0	Green	Green	Green	Green	Yellow	Yellow	Yellow	Yellow	Red
5.5	Green	Green	Green	Yellow	Yellow	Yellow	Yellow	Red	Red
6.0	Green	Green	Yellow	Yellow	Yellow	Yellow	Red	Red	Red
6.5	Green	Yellow	Yellow	Yellow	Yellow	Red	Red	Red	Red
7.0	Green	Yellow	Yellow	Yellow	Red	Red	Red	Red	Red
7.5	Green	Yellow	Yellow	Yellow	Red	Red	Red	Red	Red
8.0	Green	Yellow	Yellow	Red	Red	Red	Red	Red	Red
8.5	Green	Yellow	Yellow	Red	Red	Red	Red	Red	Red
9.0	Green	Yellow	Red	Red	Red	Red	Red	Red	Red
10.0	Green	Yellow	Red	Red	Red	Red	Red	Red	Red

No Damage / Negligible Damage

Will Stop / Potential Damage to Guard

Guard is under-sized



4955 Stout Dr. • San Antonio, TX 78219  
 TEL: +1 (210) 736 4477 • FAX: +1 (210) 734 6448  
 Email: [info@slowstop.eu](mailto:info@slowstop.eu)  
[www.slowstop.eu](http://www.slowstop.eu)



QR: Download Spec Sheets  
 ©2019 SlowStop. All rights reserved. 15-NOV-2018

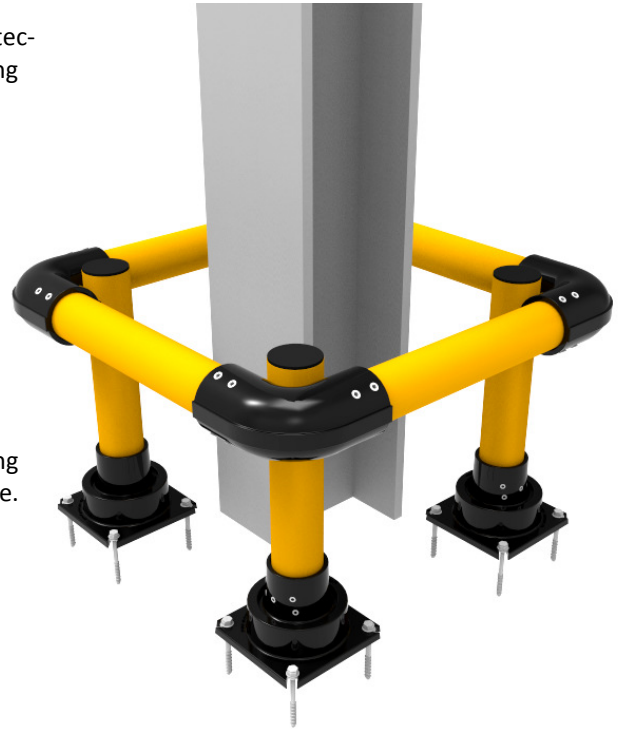
# SlowStop® IronFlex Column Protector Type 2




[www.slowstop.eu](http://www.slowstop.eu)

Four SlowStop® Type 2 Energy Absorbing Bollards interconnected with IronFlex modular elbows to form the best bollard column protection available. Blocks impacts from occurring rather than cushioning impacts to the structure.

- Color: RAL 1023 Traffic Yellow Pipe  
RAL 9005 Black Bases and Elbows
- Height: Typical 600mm
- Temp. Rating: -40° to 70°C
- Pipe Coating: EN-ISO 1461 Galvanized + Polyester Powder Coat
- Base Coating: Environmentally Friendly Water-Based KTL Coating + Polyester Powder Coat. C5I corrosion resistance.



Stopping Power Rating (as shown): 

- 45° Impact: 30.174 Joules
- 90° Impact: 21.333 Joules

Chart shown for 45° impacts.

MASS (KG)	2000	4000	6000	8000	10000	15000	20000	25000	30000	35000	40000
SPEED (KPH)											
3.0	Green	Green	Green	Green	Green	Green	Green	Green	Green	Green	Green
3.5	Green	Green	Green	Green	Green	Green	Green	Green	Green	Yellow	Yellow
4.0	Green	Green	Green	Green	Green	Green	Green	Green	Yellow	Yellow	Yellow
4.5	Green	Green	Green	Green	Green	Green	Yellow	Yellow	Yellow	Yellow	Red
5.0	Green	Green	Green	Green	Green	Yellow	Yellow	Yellow	Yellow	Yellow	Red
5.5	Green	Green	Green	Green	Yellow	Yellow	Yellow	Yellow	Yellow	Yellow	Red
6.0	Green	Green	Green	Green	Yellow	Yellow	Yellow	Yellow	Yellow	Yellow	Red
6.5	Green	Green	Green	Green	Yellow	Yellow	Yellow	Yellow	Yellow	Yellow	Red
7.0	Green	Green	Green	Green	Yellow	Yellow	Yellow	Yellow	Yellow	Yellow	Red
7.5	Green	Green	Green	Green	Yellow	Yellow	Yellow	Yellow	Yellow	Yellow	Red
8.0	Green	Green	Green	Green	Yellow	Yellow	Yellow	Yellow	Yellow	Yellow	Red
8.5	Green	Green	Green	Green	Yellow	Yellow	Yellow	Yellow	Yellow	Yellow	Red
9.0	Green	Green	Green	Green	Yellow	Yellow	Yellow	Yellow	Yellow	Yellow	Red
10.0	Green	Green	Green	Green	Yellow	Yellow	Yellow	Yellow	Yellow	Yellow	Red

No Damage / Negligible Damage  
Will Stop / Potential Damage to Guard  
Guard is under-sized



4955 Stout Dr. • San Antonio, TX 78219  
 TEL: +1 (210) 736 4477 • FAX: +1 (210) 734 6448  
 Email: [info@slowstop.eu](mailto:info@slowstop.eu)  
[www.slowstop.eu](http://www.slowstop.eu)



QR: Download Spec Sheets  
 ©2019 SlowStop. All rights reserved. 15-NOV-2018

# SlowStop® IronFlex Column Protector Type 3



[www.slowstop.eu](http://www.slowstop.eu)

Four SlowStop® Rebounding Bollards interconnected to modular elbows to form the strongest steel rebounding bollard column protector available. For the most demanding needs.

Custom designs to fit your application.

Color: RAL 1023 Traffic Yellow Pipe  
RAL 9005 Black Bases and Elbows

Height: Typical 600mm

Temp. Rating: -40° to 70°C

Pipe Coating: EN-ISO 1461 Galvanized + Polyester Powder Coat

Base Coating: Environmentally Friendly Water-Based KTL Coating + Polyester Powder Coat. C5I corrosion resistance.

Max. Stopping Power Rating: 

45° Impact: 145.946 Joules

90° Impact: 103.184 Joules

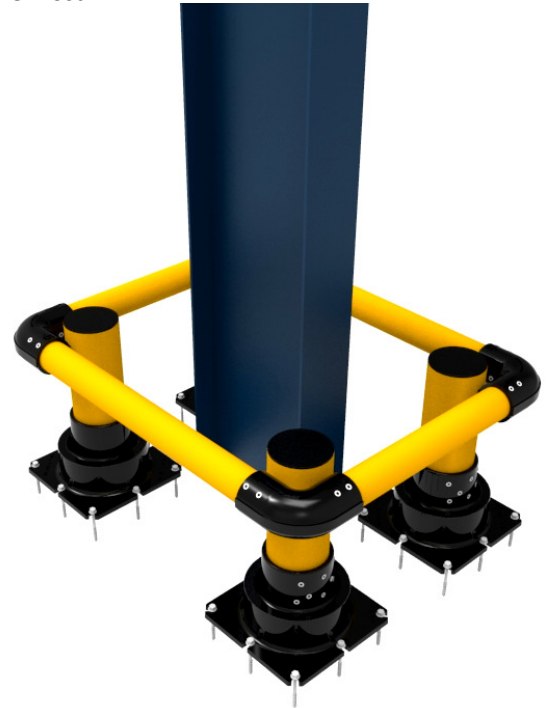


Chart shown for 90° impacts. May vary based on design.

MASS (KG)	5000	10000	15000	20000	25000	30000	35000	40000	45000	50000	60000
SPEED (KPH)											
3.0	Green	Green	Green	Green	Green	Green	Green	Green	Green	Green	Green
3.5	Green	Green	Green	Green	Green	Green	Green	Green	Green	Green	Green
4.0	Green	Green	Green	Green	Green	Green	Green	Green	Green	Green	Green
4.5	Green	Green	Green	Green	Green	Green	Green	Green	Green	Green	Green
5.0	Green	Green	Green	Green	Green	Green	Green	Green	Green	Green	Green
5.5	Green	Green	Green	Green	Green	Green	Green	Green	Green	Green	Green
6.0	Green	Green	Green	Green	Green	Green	Green	Green	Green	Green	Green
6.5	Green	Green	Green	Green	Green	Green	Green	Green	Green	Green	Green
7.0	Green	Green	Green	Green	Green	Green	Green	Green	Green	Green	Green
7.5	Green	Green	Green	Green	Green	Green	Green	Green	Green	Green	Green
8.0	Green	Green	Green	Green	Green	Green	Green	Green	Green	Green	Green
8.5	Green	Green	Green	Green	Green	Green	Green	Green	Green	Green	Green
9.0	Green	Green	Green	Green	Green	Green	Green	Green	Green	Green	Green
10.0	Green	Green	Green	Green	Green	Green	Green	Green	Green	Green	Green

No Damage / Negligible Damage  
Will Stop / Potential Damage to Guard  
Guard is under-sized



4955 Stout Dr. • San Antonio, TX 78219  
 TEL: +1 (210) 736 4477 • FAX: +1 (210) 734 6448  
 Email: [info@slowstop.eu](mailto:info@slowstop.eu)  
[www.slowstop.eu](http://www.slowstop.eu)



QR: Download Spec Sheets  
 ©2019 SlowStop. All rights reserved. 15-NOV-2018